

# MICROJET® EM-25

The **MICROJET® EM-25** is designed for the installation of telecommunication and data transmission micro-cables (optical fibre and coaxial), i.e. cables having an outer diameter between 0.7 and 3 mm, into preinstalled microducts. The **MICROJET® EM-25** operates as : a "Jetting" machine, a microcable "Push/Pull" and a microcable pusher. For each of these installation modes, the **MICROJET® EM-25** can be used as an intermediate assist for cascading.

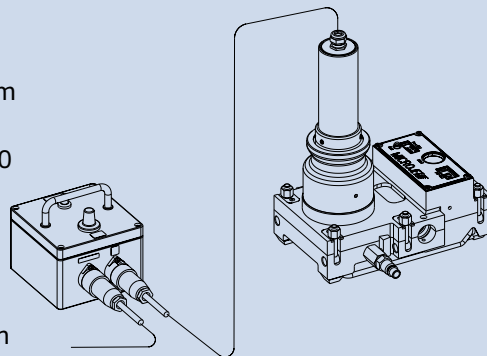


## Advantages of the MICROJET® EM-25 :

- Multiple modes of operation as described above. The correct mode is selected according to the job parameters, i.e. design/construction of the microcable, length of the microduct route, location of the site (indoor/outdoor), complexity of the microduct route, etc ... Each mode has its specific advantages :
- "Jetting" enables you to install microcables safely over tortuous microduct routes
- The push/pull mode permits to install microcables inside buildings, using an air bottle instead of a compressor, thus reducing noise, weight and inconvenience to third parties
- The pusher mode is safe and efficient for short microduct routes (up to approx. 20 m)
- Very compact design enabling to operate the **MICROJET® EM-25** in confined spaces
- Patented adjustable magnetic clutch to limit the pushing force in order to protect the microcable
- Pushing force from 0 to 25 N
- The **MICROJET® EM-25** operates bi-directionally

## MICROJET® EM-25

- Accepts microcable diameters up to 3 mm
- Accepts microduct outer diameters between 3 and 8 mm
- Installs, depending on design of microcable, microduct route and selection of installation mode, sections from 20 to 2000 m, at a speed up to 40 m/min
- Max. allowable air pressure : 12 bar
- Weighs 6.5 kg, unit only, 12 kg with aluminum box (590(l) x 385(w) x 250(h) mm)
- Is supplied with tools and accessories into an aluminium box



## MICROJET® EM-25 enables you to :

- Install long sections of microcable safely over tortuous microduct routes, both indoor and outdoor
- Place microcables, in one step, into their final location
- Create slack required for splicing, at any point of the microduct route, without exerting stress to the microcable
- Remove old and place new microcables, in one step, for network upgrading purposes
- Choose the most convenient installation method for the given job parameters

### Important :

Due to third party's claims, it is mandatory to always use a shuttle in front of the microcable / fiber bundle installed with the **MICROJET® EM-25**. Use of the **MICROJET® EM-25** without a shuttle may be subject to license by third party. Please, consult us.

Specification & modifications reserved - V1/07-2003

The Art of Laying Cables



Microcabling

# MICROJET® EM-25 main accessories

---

- **Mini-shuttles and connectors** for installation into 5 mm and 8 m outside diameter microducts
- **Microjetting Lube**, a special lubricant for microduct pre-lubrication, improving installation speed and distances
- **Jetplanner**, "jetting" simulation software for installation job planning, suitable for PC



Description	Technical Data Sheet
MICROJET® EM-25	298.108
MICROJET® UM-25	298.086

Specification & modifications reserved - V1/07-2003



PLUMETTAZ S.A., Z. I. En Vannel C, CH-1880 BEX, Switzerland  
Tel. +41 24 463 06 06 - Fax +41 24 463 06 07  
[www.plumettaz.ch](http://www.plumettaz.ch) - [sales@plumettaz.ch](mailto:sales@plumettaz.ch)