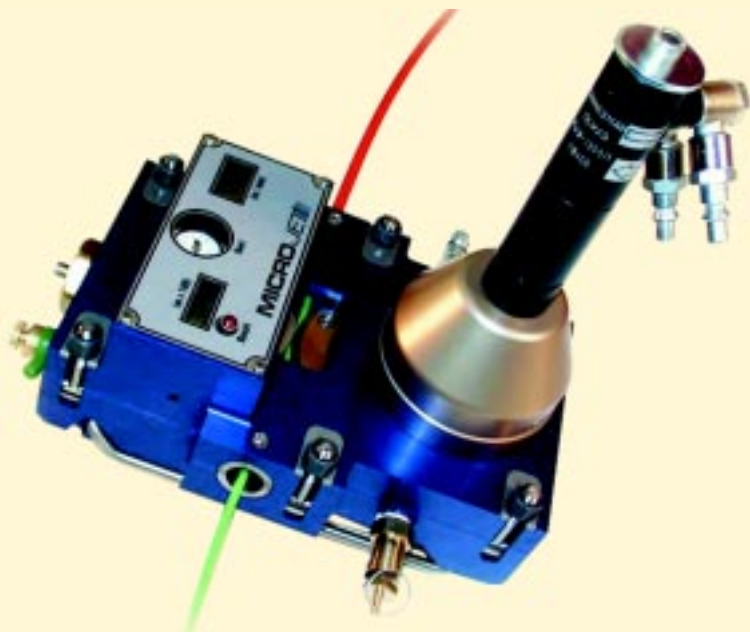


MICROJET® PR-140

The **MICROJET® PR-140** is designed to place telecommunication and data transmission microcables (optical fibre, coaxial and copper quarts), i.e. cables having an outer diameter between 3.0 and 7.5 mm, into preinstalled microducts. The **MICROJET® PR-140** operates as : a cable thruster and puller, a cable "Push/Pull", "Jetting" and "Floating" machine (which places microcables into microducts with the assistance of compressed air or water). For each of these modes, the **MICROJET® PR-140** can be used as an intermediate assist for cascading.

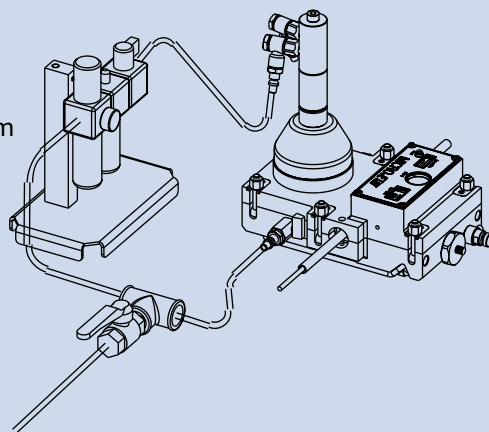


Advantages of the MICROJET® PR-140 :

- Multiple modes of operation as described above. The adequate mode is selected according to the job parameters, i.e. length of the microcable to be installed, location of the site (indoor/outdoor), complexity of the duct route, etc ... Each mode has its specific advantages :
 - "Jetting" enables you to install microcables safely over tortuous routes
 - The push/pull mode permits to install microcables inside buildings, using a smaller compressor
 - Thrusting is safe and efficient for short cable runs (up to approx. 20 - 50 m)
 - "Floating" permits you to achieve longer installation distances on outdoor sites
- Very compact design enabling to operate the **MICROJET® PR-140** in confined spaces
- Modular bi-directional concept permitting a wide range of applications for indoor and outdoor cable placement in preinstalled microducts

MICROJET® PR-140

- Accepts microcable diameters between 3.0 and 7.5 mm
- Accepts microduct outer diameters between 5 and 12 mm
- Installs, depending on design of microcable and microduct and selection of installation mode, sections over 1000 m long, at a speed up to 25m/min, please consult us
- Max. recommended inlet air pressure : 12 bar
- Weighs 6 kg, unit only, 16 kg with aluminium box (590(l) x 390(w) x 250(h) mm)
- Is supplied with tools and accessories



MICROJET® PR-140 enables you to :

- Install long sections of microcable safely over tortuous routes, indoor and outdoor
- Place microcables, in one step, into their final location
- Create slack required for splicing, at any point of the duct path, without exerting stress
- Remove old and place new microcables, in one step, for network upgrading purposes
- Choose the most convenient installation method for the given job parameters

Specification & modifications reserved - V2/01-2004

The Art of Laying Cables



Microcabling

MICROJET® PR-140 main accessories

- **Figarino/Figaro®**, intermediate cable storage devices, replacing the cumbersome figure-eighting and saving work force, on outdoor sites
- **Jetting Lube**, a duct lubricant improving installation speed and distances
- **Jetplanner**, "Jetting" simulation software for installation job planning, suitable for PC



Description	Technical Data Sheet
MICROJET® PR-140	298.172

Specification & modifications reserved - V2/01-2004



PLUMETTAZ S.A., Z. I. En Vannel C, CH-1880 BEX, Switzerland
Tel. +41 24 463 06 06 - Fax +41 24 463 06 07
www.plumettaz.ch - sales@plumettaz.ch